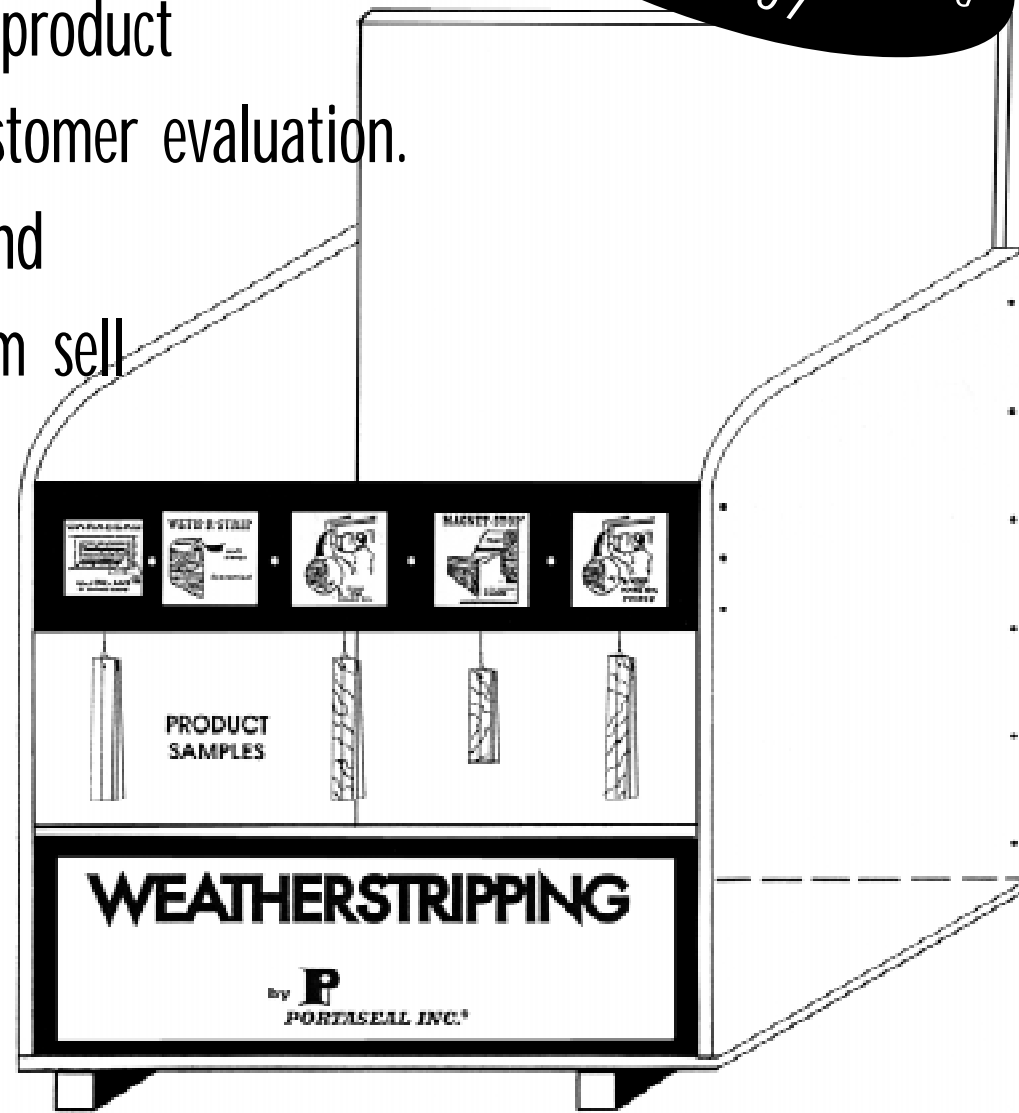


PORTASEAL

PORTASEAL displays feature
its own advertising,
complete with product
samples for customer evaluation.
Put them in and
just watch them sell

QUALITY WEATHERSTRIPPING
SINCE 1957

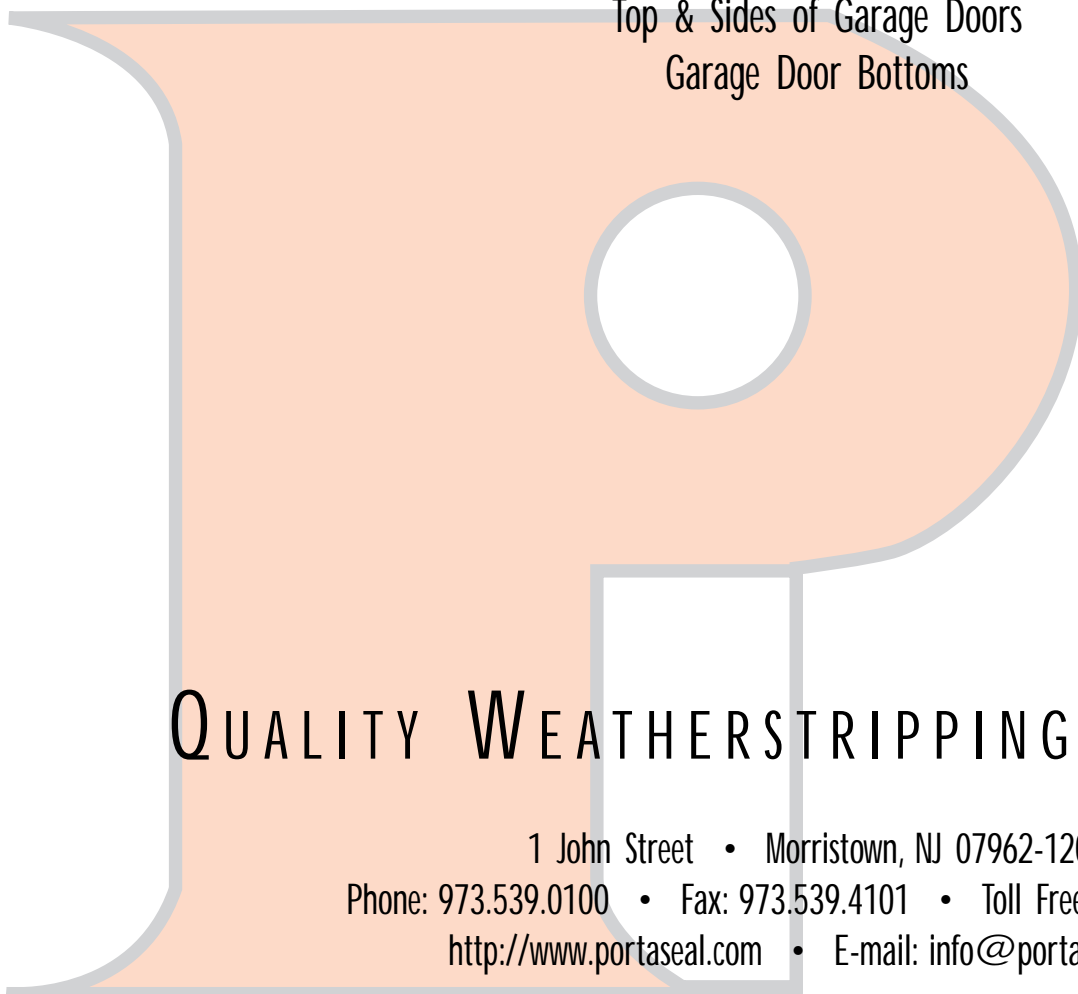


1 John Street • Morristown, NJ 07962-1203
Phone: 973.539.0100 • Fax: 973.539.4101 • Toll Free 877.PORTASEAL
<http://www.portaseal.com> • E-mail: info@portaseal.com

PORTASEAL

5 SELF-ADJUSTING DESIGNS

- For Residential Doors
- For Windows
- Top & Sides of Garage Doors
- Garage Door Bottoms



QUALITY WEATHERSTRIPPING SINCE 1957

1 John Street • Morristown, NJ 07962-1203
Phone: 973.539.0100 • Fax: 973.539.4101 • Toll Free 877.PORTASEAL
<http://www.portaseal.com> • E-mail: info@portaseal.com

GARASEAL
GARABOTTOM
WETH-R-STRIP
INSULATED STOP
MAGNET-STOP
GARASEAL
GARABOTTOM
WETH-R-STRIP
INSULATED STOP
GARASEAL
GARABOTTOM
WETH-R-STRIP
INSULATED STOP
GARASEAL
GARABOTTOM
WETH-R-STRIP
INSULATED STOP
MAGNET-STOP
GARASEAL
GARABOTTOM
WETH-R-STRIP
INSULATED STOP
GARASEAL
GARABOTTOM
WETH-R-STRIP
INSULATED STOP
MAGNET-STOP
GARASEAL
GARABOTTOM
WETH-R-STRIP
INSULATED STOP

GARASEAL

GARA-SEAL combines all-weather rigid vinyl strip with a flexible vinyl seal for the Top & Sides of garage doors.

The flexible vinyl flange, with a unique bead design, clings to the door, self-adjusting to any degree of door warp-age, but does not hamper door operation. Available in both white and brown to match light and dark finished doors. Simply nail to the outside molding. One car: G-9x7 Two car: G-16x7

GARA-SEAL is designed for long life and will give years of trouble free operation and effective protection against drafts and other weather.

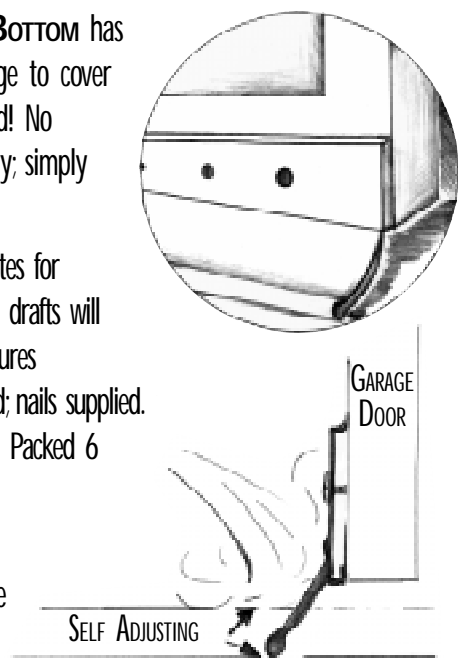


GARABOTTOM

PortaSeal's revolutionary new **GARA-BOTTOM** has a large permanently flexible, gray flange to cover gaps between garage door and ground! No door or lock adjustments are necessary; simply nail to bottom edge of door.

GARA-BOTTOM automatically compensates for uneven driveways with its flexible seal so drafts will not come in! Its unique bead design assures performance for many years! Pre-punched; nails supplied. GB-9' Packed 12 sets per carton. GB-16' Packed 6 sets per carton.

GARA-BOTTOM is a hot seller—homeowners love the product! Increase your profits with **GARA-BOTTOM**



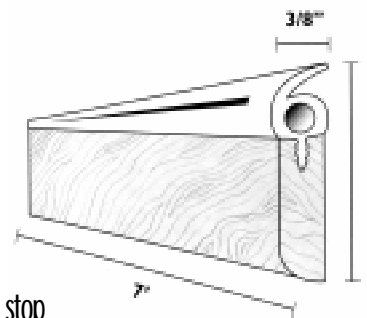
WETH-R-STRIP

Our **WETH-R-STRIP** product is an economical, high quality, full size, wood door stop and also works on windows too. It has a self-adjusting air tight seal keeping outside air from coming in.

WETH-R-STRIP provides a permanent self-adjusting weather-seal for all exterior doors and windows. (for metal doors, see our Magnet-Stop product!)

WETH-R-STRIP combines fine quality pine, primed, with flexible vinyl, securely stapled—at a great price! The product is ideal for those on a budget who need to replace old, worn out weather-stripping on doors and windows. Its free flange will adjust to compensate for door warp-age over the years.

WETH-R-STRIP is easy to install — simply nail to outside frame. Each set contains one 3' header and two 7' side stops. Packed 12 sets per display carton.



MAGNET-STOP

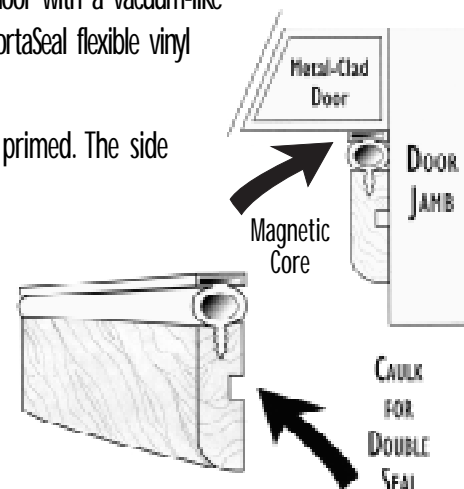
Our **MAGNET-STOP** product provides the total airtight seal for *metal doors* employed on refrigerator doors! PortaSeal's **MAGNET-STOP** is a quality full wood doorstop with a magnetic-core sealing gasket, designed for use with metal-clad exterior doors.

MAGNET-STOP literally clings to the header and latch side of your door with a vacuum-like grip, yet releases easily. The hinge side is sealed with a high quality PortaSeal flexible vinyl stop. Simply nail on!

The sections are clearly marked for accurate installation and are primed. The side stops are pre-coped on both ends for easy mounting either for left or right swinging doors.

Each pre-packed, retail set contains one 3' header and two 7' side stops in a clearly marked poly bag with instructions, 9 sets per carton.

PortaSeal makes other fine weather-stripping products designed for customer satisfaction and high profits.



INSULATED STOP

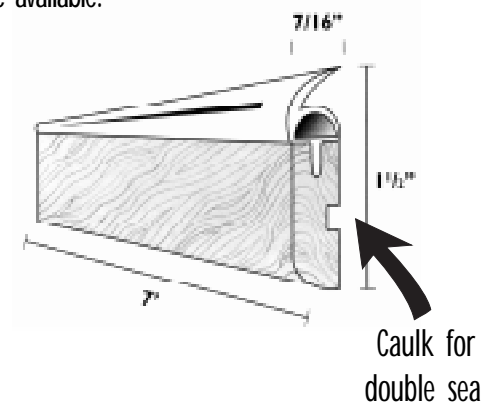
Our **INSULATED DOOR-STOP** is a premium quality, full size, wood door stop with a self-adjusting air tight seal keeping outside air from coming in.

INSULATED DOOR-STOP provides a permanent self-adjusting weather-seal for all exterior doors. (for metal doors, see our Magnet-Stop product!)

INSULATED DOOR-STOP combines fine quality, tight finger-joint wood, with flexible vinyl, securely stapled. The product is ideal on pre-hung doors in new construction and in remodeling. Its free flange will adjust to compensate for door warp-age over the years.

Each retail packaged set contains one 3'-0" header and two 7' side stops in a poly bag, clearly marked with instructions. The hinge side and latch side sections of the product are clearly marked for accurate installation.

INSULATED DOOR-STOP comes in either raw wood (1D-17) or primed (1D-PR), and each self displaying carton contains 12 sets. It is available in an economical bulk pack of 25 sets for mill work and other OEM applications. Pre-coping and custom configurations are available.



QUALITY WEATHERSTRIPPING SINCE 1957

GARASEAL

WETH-R-STRIP

GARABOTTOM

MAGNET-STOP

PORTASEAL

INSULATED STOP