



INSULATED STOP

Since 1957, PortaSeal has been manufacturing fine weather-stripping products.

Our **INSULATED DOOR-STOP** is a premium quality, full size, wood door stop with a self-adjusting air tight seal keeping outside air from coming in.

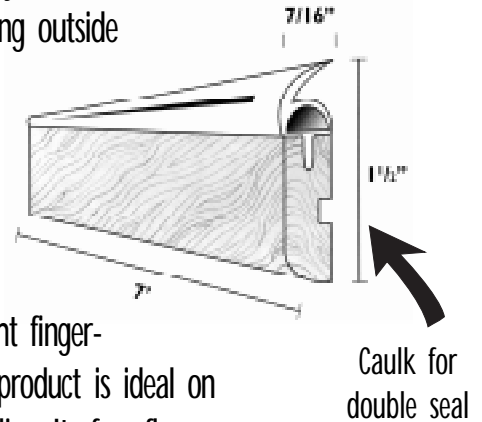
INSULATED DOOR-STOP provides a permanent self-adjusting weather-seal for all exterior doors. (for metal doors, see our Magnet-Stop product!)

INSULATED DOOR-STOP combines fine quality, tight finger-joint wood, with flexible vinyl, securely stapled. The product is ideal on pre-hung doors in new construction and in remodeling. Its free flange will adjust to compensate for door warp-age over the years.

Each retail packaged set contains one 3'-0" header and two 7' side stops in a poly bag, clearly marked with instructions. The hinge side and latch side sections of the product are clearly marked for accurate installation.

INSULATED DOOR-STOP is comes in either raw wood (1D-17) or primed (1D-PR), and each self displaying carton contains 12 sets. It is available in an economical bulk pack of 25 sets for mill work and other OEM applications. Pre-coping and custom configurations are available.

PortaSeal makes other fine weather-stripping products designed for customer satisfaction and high profits. Check out our **MAGNET-STOP**, **WETH-R-STRIP**, **GARA-SEAL** and **GARA-BOTTOM** products, only from PortaSeal!



GARA SEAL

GARA BOTTOM

WETH-R-STRIP

INSULATED STOP

MAGNET-STOP

QUALITY WEATHERSTRIPPING SINCE 1957

1 John Street • Morristown, NJ 07962-1203
Phone: 973.539.0100 • Fax: 973.539.4101 • Toll Free 877.PORTASEAL
<http://www.portaseal.com> • E-mail: info@portaseal.com

PORTASEAL products sell themselves in our retail rack.

